



VESTIL MANUFACTURING CORP.
 2999 North Wayne Street, P.O. Box 507, Angola, IN 46703
 Telephone: (260) 665-7586 -or- Toll Free (800) 348-0868
 Fax: (260) 665-1339
www.vestilmfg.com e-mail: info@vestil.com

DCBB SERIES VISUAL BARRIER SYSTEM



Receiving Instructions

After delivery, remove the packaging from the product. Inspect the product closely to determine whether it sustained damage during transport. If damage is discovered, record a complete description of it on the bill of lading. If the product is undamaged, discard the packaging.

NOTE: The end-user is solely responsible for confirming that product design, use, and maintenance comply with laws, regulations, codes, and mandatory standards applied where the product is used.

Technical Service & Replacement Parts

For answers to questions not addressed in these instructions and to order replacement parts, labels, and accessories, call our Technical Service and Parts Department at (260) 665-7586. The department can also be contacted online at http://www.vestilmfg.com/parts_info.htm.




Electronic copies of Instruction Manuals

Additional copies of this instruction manual may be downloaded from <https://www.vestil.com/page-manuals.php>.

Table of Contents		Page
Signal Words.....		2
Safety Instructions.....		2
Exploded View and Bill of Materials.....		2
Assembling the Bollard System.....		3
Installing the Bollard System.....		4
Using the Bollard System.....		4
Record of Satisfactory Condition.....		5
Inspections & Maintenance.....		5
Labeling Diagram.....		5
Limited Warranty.....		6

SIGNAL WORDS

This manual uses SIGNAL WORDS to indicate the likelihood of personal injuries, as well as the probable seriousness of those injuries, if the product is misused in the ways described. Other signal words call attention to uses of the product likely cause property damage. The following are signal words used in this manual and their definitions.

 DANGER	Identifies a hazardous situation which, if not avoided, WILL result in DEATH or SERIOUS INJURY . Use of this signal word is limited to the most extreme situations.
 WARNING	Identifies a hazardous situation which, if not avoided, COULD result in DEATH or SERIOUS INJURY .
 CAUTION	Indicates a hazardous situation which, if not avoided, COULD result in MINOR or MODERATE injury.
NOTICE	Identifies practices likely to result in product/property damage, such as operation that might damage the product.

SAFETY INSTRUCTIONS

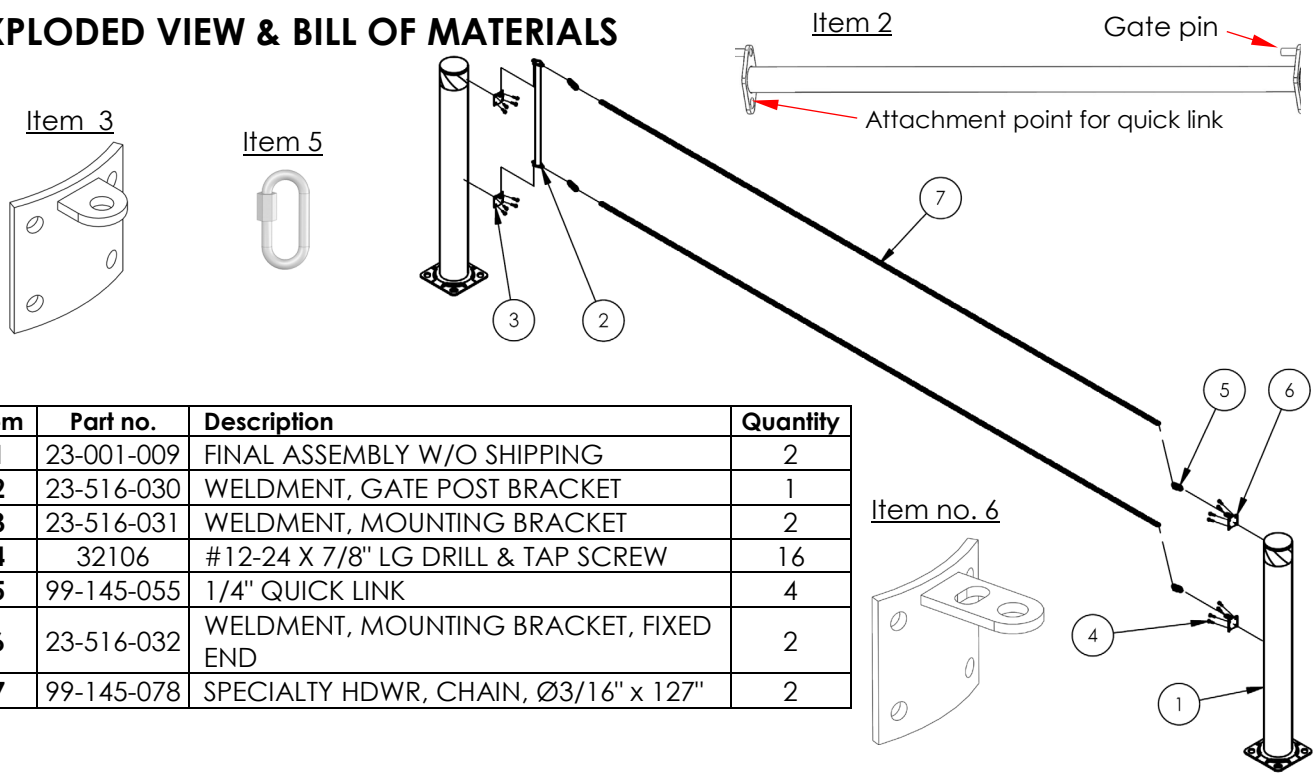
Vestil strives to identify foreseeable hazards associated with the use of its products. However, no manual can address every conceivable risk. To minimize the likelihood of being injured as a result of using this device, inspect and maintain the product as instructed in *INSPECTIONS & MAINTNENANCE* and exercise sound judgment whenever using this device.

WARNING

Risks of serious personal injuries or death.

- **Read this manual in its entirety before assembling, installing, using, inspecting or servicing the product.** A copy of this manual should always be available to all persons who assemble, install, use, inspect, or maintain this device.
- DO NOT modify this chain gate system. Modifications automatically void the Limited Warranty and might make the bollard unsafe to use.
- DO NOT lean, or sit, on the chains.
- DO NOT use this product as a guardrail system. It should only be used as a visual barrier. DO NOT use the bollard system to guard a walking-working surface edge that is 4ft or more above a lower level.

EXPLODED VIEW & BILL OF MATERIALS

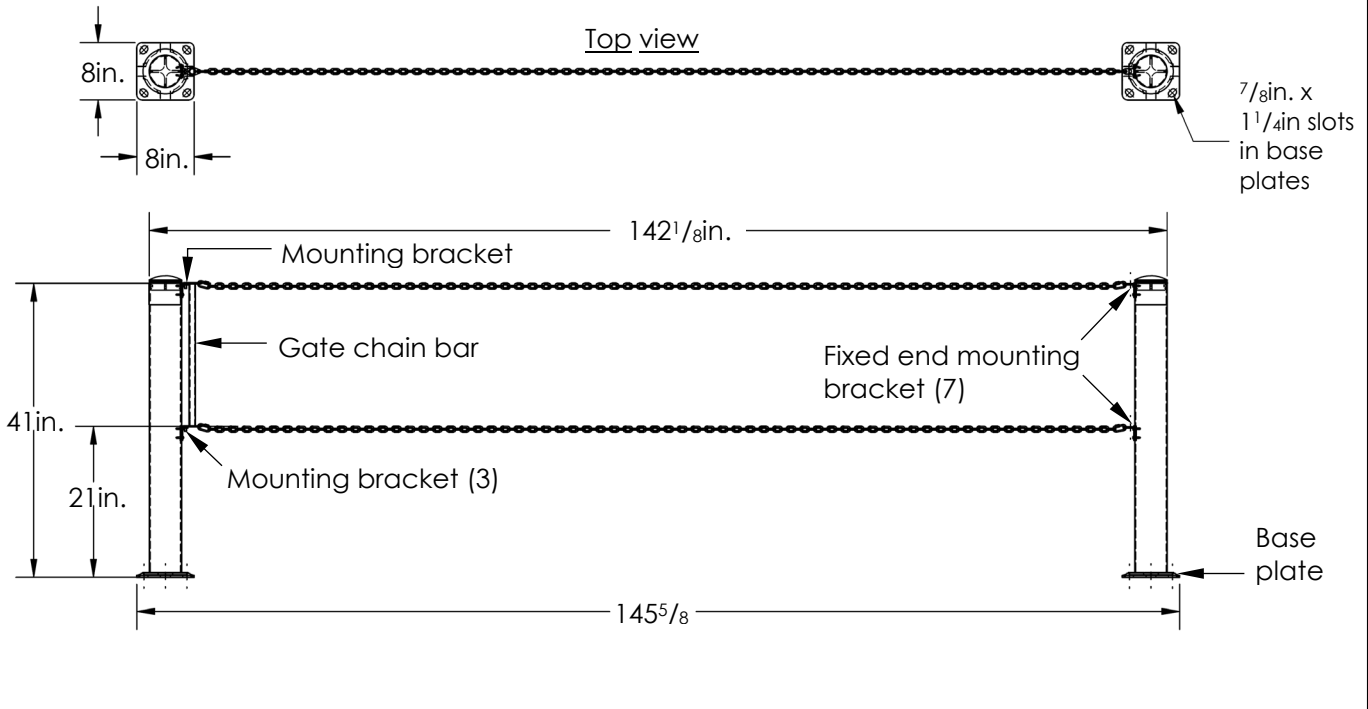


Item	Part no.	Description	Quantity
1	23-001-009	FINAL ASSEMBLY W/O SHIPPING	2
2	23-516-030	WELDMENT, GATE POST BRACKET	1
3	23-516-031	WELDMENT, MOUNTING BRACKET	2
4	32106	#12-24 X 7/8" LG DRILL & TAP SCREW	16
5	99-145-055	1/4" QUICK LINK	4
6	23-516-032	WELDMENT, MOUNTING BRACKET, FIXED END	2
7	99-145-078	SPECIALTY HDWR, CHAIN, Ø3/16" x 127"	2

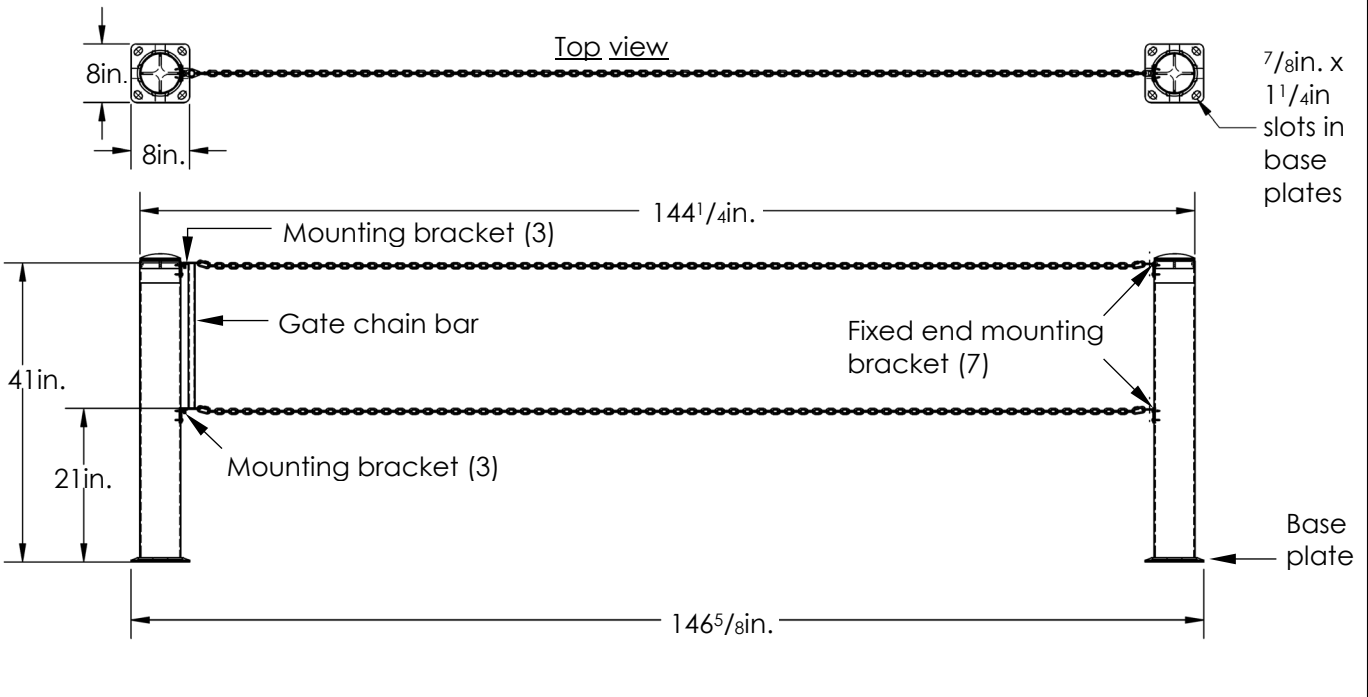
ASSEMBLING THE BOLLARD SYSTEM

Refer to the appropriate diagram below when installing your bollard gate system. Each bollard system is intended to provide a **visual barrier/warning line** that establishes the boundaries of a designated area. Neither system is designed to be used as an OSHA "General Industry" guardrail system.

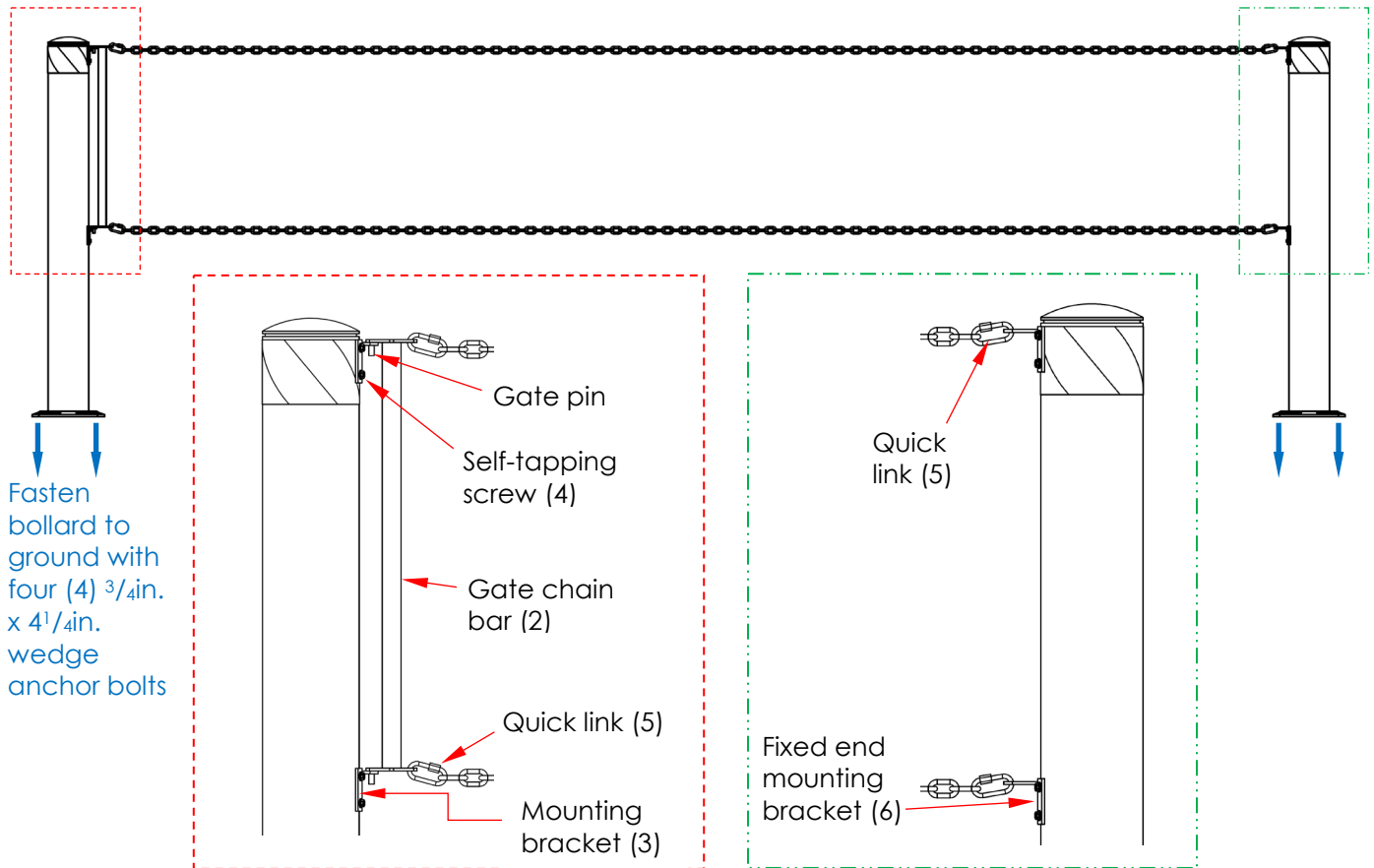
DCBB-42-4.5 INSTALLATION DIAGRAM



DCBB-42-5.5 INSTALLATION DIAGRAM



INSTALLING THE BOLLARD SYSTEM



To assemble the gate system:

NOTE: Numbers in parentheses correspond to item numbers in the [EXPLODED VIEW](#) on p. 2.

1. Attach both mounting brackets (3) to one of the bollards using self-tapping screws (4); then fasten both fixed end mounting brackets (6) to the other bollard with self-tapping screws (4).
2. Attach a quick link (5) to each end of both chains.
3. Attach the quick link at one end of both chains to the fixed end mounting brackets (6); fasten the opposite ends of the chains to the gate chain bar (2).
[NOTE: Attach the quick links to the gate chain bar so that the bracket pins point downwards.]
4. Slide the gate pins into the pin holes of the mounting brackets (3).
5. Place the bollards in the desired installation locations. Notice that the base plate of each bollard includes 4 bolt holes/slots. Mark the concrete with the location of each bolt hole.
6. Using a hammer drill and a $\frac{3}{4}$ in. masonry bit, drill a hole to a depth of 4 inches in the concrete.
7. Set each bollard in place. Align the bolt holes in the base plates with the holes in the concrete.
8. Put a flat washer and a hex nut onto the threaded end of each wedge anchor bolt (part no. AS-344); then tap the bolts through the holes in the base plates and into the drilled holes with a hammer. The nut should stick up above the end of the bolt so that the hammer strikes the nut rather than the end of the bolt.
9. Tighten the nuts to expand the anchoring mechanism. The bollards should now be solidly anchored to the surface.

USING THE BOLLARD SYSTEM

This bollard system should only be used as a visual barrier to define a warning line of a designated area. DO NOT use the bollard system to guard walking-working surface edges that are 4ft. or more above a lower level.

Open the gate by grasping the gate chain bar. Lift it to disengage the gate pins from the mounting brackets.

RECORD OF SATISFACTORY CONDITION (THE “RECORD”)

After installing the bollard system and before putting it into service, make a record of its condition. Record the condition and appearance of both of the bollards, the chains, gate chain bar and the gate pins, all 4 mounting brackets, and all fasteners (anchor bolts, anchors, nuts, screws, etc.). Thoroughly photograph the system from multiple angles. Include close range photographs of the bases of the bollards to show all anchoring hardware, mounting brackets and fasteners, quick links, gate pins, and labeling. Collect all photographs and writings in a single file. This file is a record of the system in satisfactory condition. Compare the results of all inspections to this RECORD to determine whether the system is in satisfactory condition. Do not use the system unless all components in satisfactory condition. Purely cosmetic changes, like damaged paint or powdercoat, are not changes from satisfactory condition. However, touchup paint should be applied as soon as damage occurs.

INSPECTIONS & MAINTENANCE

NOTICE

Inspections and all necessary repairs should be performed by qualified persons.

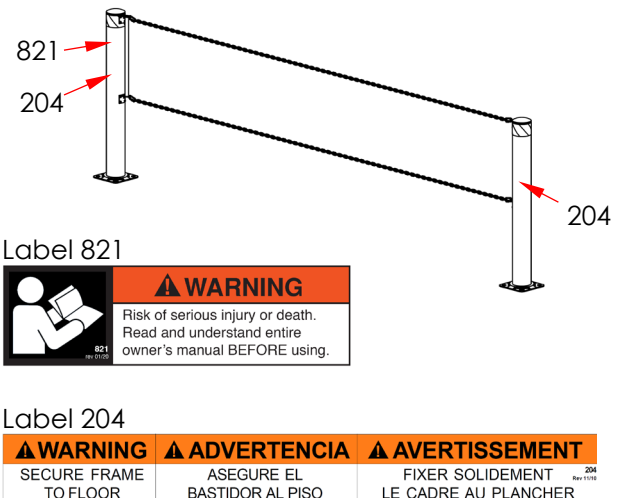
Compare the results of each inspection to the [RECORD OF SATISFACTORY CONDITION](#). Do not continue to use the visual barrier system unless every part is in satisfactory condition. If you have any questions about the condition of your DCBB, contact the [TECHNICAL SERVICE](#) department. The phone number is provided on the cover page of this manual. *Never make temporary repairs of damaged or missing parts.* Only use manufacturer-approved replacement parts to restore the unit to satisfactory condition.

Inspect the following at least once per month. Maintain the system by replacing all items that are not in satisfactory condition.

- **Bollards:** Try to wiggle the bollards. to determine the soundness of the connections between the anchor bolts and the surface. If the bollard can wobble, determine if any of the bolts are loose and tighten them. If the concrete around the anchors is damaged and the anchor is loose, the bollard will have to be installed in another location. Clean dirt and grime from the surface of the bollard.
- **Mounting brackets:** Make sure that all 4 brackets are solidly fastened to the bollards. Look for cracks and significant rusting/corrosion.
- **Gate assembly (chains, quick links, gate chain bar):** Check all quick links and the links of both chains for cracks, breaks, twists, and other damage. Examine the gate chain bar for damage. Pay particular attention to the gate pins.

LABELING DIAGRAM

Label content and location are subject to change so your product might not be labeled exactly as shown. Compare the diagram below to your [RECORD OF SATISFACTORY CONDITION](#). If there are any differences between actual labeling and this diagram, contact [TECHNICAL SERVICE](#). Replace all labels that are damaged, missing, or not easily readable (e.g. faded). To order replacement labels or to inquire whether your unit is properly labeled, contact the technical service and parts department online at http://www.vestilmfg.com/parts_info.htm or by calling (260) 665-7586 and asking for the Parts Department.



LIMITED WARRANTY

Vestil Manufacturing Corporation ("Vestil") warrants this product to be free of defects in material and workmanship during the warranty period. Our warranty obligation is to provide a replacement for a defective, original part covered by the warranty after we receive a proper request from the Warrantee (you) for warranty service.

Who may request service?

Only a warrantee may request service. You are a warrantee if you purchased the product from Vestil or from an authorized distributor AND Vestil has been fully paid.

Definition of "original part"?

An original part is a part used to make the product as shipped to the Warrantee.

What is a "proper request"?

A request for warranty service is proper if Vestil receives: 1) a photocopy of the Customer Invoice that displays the shipping date; AND 2) a written request for warranty service including your name and phone number. Send requests by one of the following methods:

US Mail

Vestil Manufacturing Corporation
2999 North Wayne Street, PO Box 507
Angola, IN 46703

Fax

(260) 665-1339

Phone

(260) 665-7586

Email

info@vestil.com

Enter "Warranty service request"
in the subject field.

In the written request, list the parts believed to be defective and include the address where replacements should be delivered. After Vestil receives your request for warranty service, an authorized representative will contact you to determine whether your claim is covered by the warranty. Before providing warranty service, Vestil will require you to send the entire product, or just the defective part (or parts), to its facility in Angola, IN.

What is covered under the warranty?

The warranty covers defects in the following original, dynamic parts: motors, hydraulic pumps, motor controllers, and cylinders. It also covers defects in original parts that wear under normal usage conditions ("wearing parts"), such as bearings, hoses, wheels, seals, brushes, and batteries.

How long is the warranty period?

The warranty period for original dynamic components is 90 days. For wearing parts, the warranty period is 90 days. Both warranty periods begin on the date Vestil ships the product to the Warrantee. If the product was purchased from an authorized distributor, the periods begin when the distributor ships the product. Vestil may, at its sole discretion, extend a warranty period for products shipped from authorized distributors by up to 30 days to account for shipping time.

If a defective part is covered by the warranty, what will Vestil do to correct the problem?

Vestil will provide an appropriate replacement for any covered part. An authorized representative of Vestil will contact you to discuss your claim.

What is not covered by the warranty?

The Warrantee (you) is responsible for paying labor costs and freight costs to return the product to Vestil for warranty service.

Events that automatically void this Limited Warranty.

- Misuse;
- Negligent assembly, installation, operation or repair;
- Installation/use in corrosive environments;
- Inadequate or improper maintenance;
- Damage sustained during shipping;
- Collisions or other accidents that damage the product;
- Unauthorized modifications: Do not modify the product IN ANY WAY without first receiving written authorization from Vestil.

Do any other warranties apply to the product?

Vestil Manufacturing Corp. makes no other express warranties. All implied warranties are disclaimed to the extent allowed by law. Any implied warranty not disclaimed is limited in scope to the terms of this Limited Warranty. Vestil makes no warranty or representation that this product complies with any state or local design, performance, or safety code or standard. Noncompliance with any such code or standard is not a defect in material or workmanship.